

## LA Series • Submersible Axial Pumps

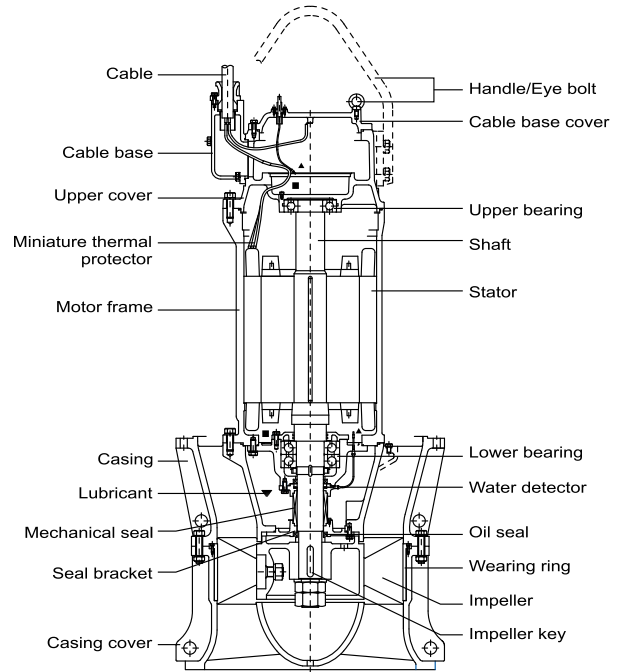
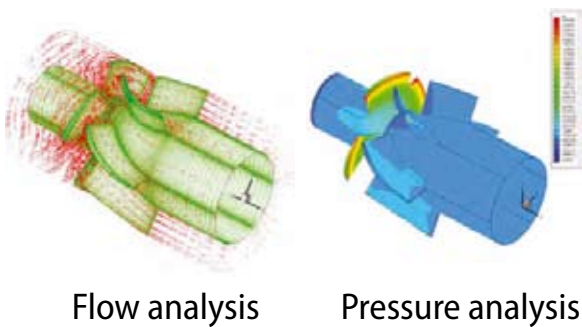


## Feature

- High efficiency motor directly connect to impeller for best energy saving.
- Pump manufacture with firm structure, cable lead isolated by harden epoxy for water proof, double mechanical seal, and IP68 dust free and water proof for long period of performance.
- Shaft and impeller is been precisely balance for quiet and long life performance.
- Standard protector: Miniature thermal protector, mechanical seal leakage detector. other optional protector device can be apply.
- 3D computerizes impeller and vanes conductive design for higher pump efficiency.

## Applications

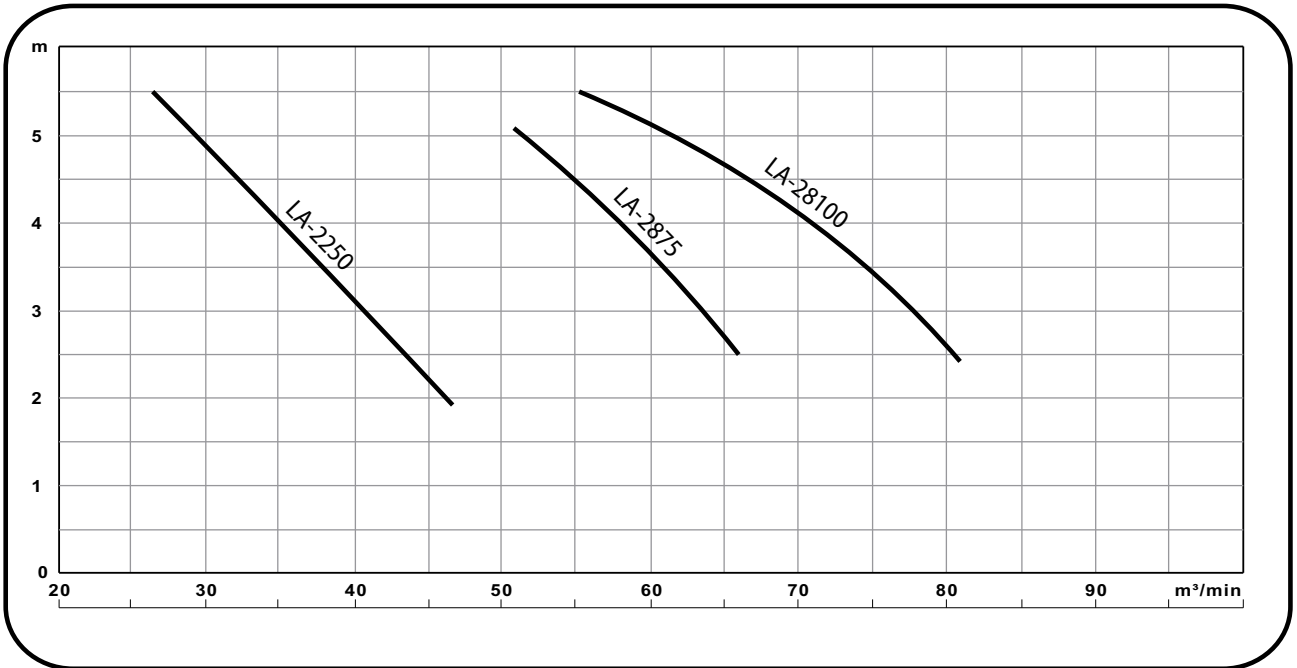
- Water supply or drainage for industrial.
- Water supply for cooling in the power plant.
- Drainage of waste water treatment.
- Used for large volume dewatering.
- Water supply for agriculture irrigation.
- Others: Extraction of water from dock and river.



## Specifications

Item		Description
Limits of use	Liquid Temp	0 - 40 °C
	Applications	Waste water • industry drainage • Agriculture irrigation • Aquaculture water
	Submersion Depth	100feet (30m)
Type	Frequency	50Hz
	Phase • Voltage	3ø • 380 ~ 460V
	Motor	Dry motor
	Insulation	Class F (155 °C)
	Protection	Seal room water detector
	Protector	Miniature thermal protector(MTP)
	Bearing	Ball type bearing
	M.seal	Double M.seal
Material	Impeller	Axial
	Upper Cover	Cast Iron
	Casing	Cast Iron
	Impeller	Bronze, Stainless steel
	Wear Ring	Bronze, Stainless steel
	Motor frame	Cast Iron
	Main Shaft	SS420J2
M.seal	Silicon Carbide	
Cable	Rubber	
Optional		

## Performance Curves



Model	Power HP (kW)	Head m	Discharge inch	Start Method	Capacity m³/m	Standard Type			Well Type		
						Width	Hight	Weight	Width	Hight	Weight
LA 2250	50 (37)	3/4	22 ~ 24	Y - Δ	40/38	780	1960	1180	780	1300	850
LA 2875	75 (55)	3.5	28	Y - Δ	60	870	2760	2060	870	2150	1530
LA 28100	100 (75)	4	28	Y - Δ	70	870	2760	2130	870	2150	1600



LA-2250



LA-28100